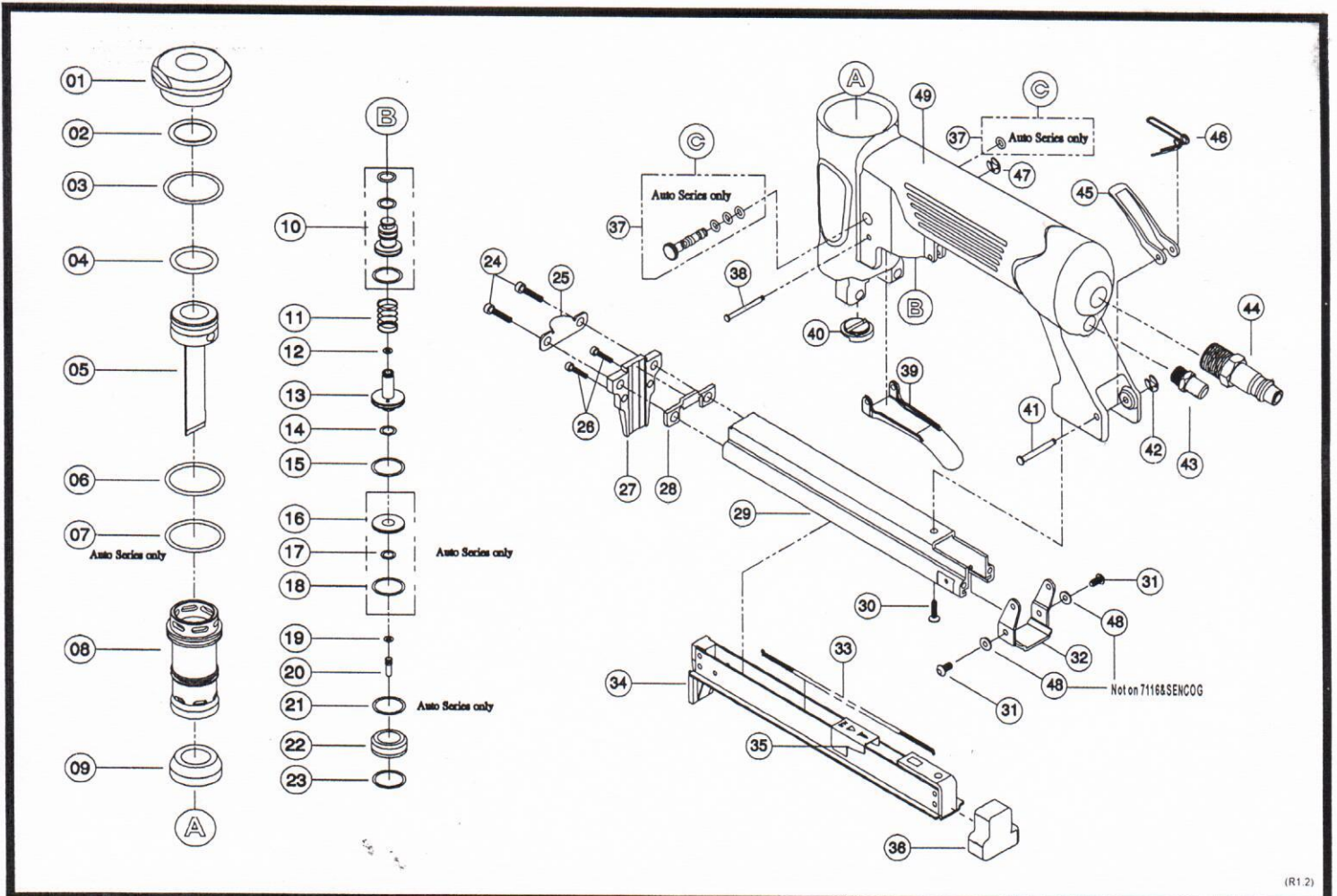


MODEL NO.US8016A



(R1.2)

PARTS LIST MODEL US8016A

No.	Part NO.	Name	PCS	No.	Part NO.	Name	PCS
1	52010	Hammer Cap	1	26	91001	Hex.HD Soc Screw	2
2	90087	O-Ring	1	27	18140	Nose	1
3	90000	O-Ring	1	28	18150	Nose Plate	1
4	90001	O-Ring	1	29	18160	Magazine	1
5	18020	Piston Ram Assembly	1	30	93001	Hex. Soc. FT HD Screw	1
6	90000	O-Ring	1	31	98019	Hex. Soc. FT HD Screw	2
7	90015	O-Ring	1	32	18214	Magazine Retainer	1
8	18040	Cylinder	1	33	18170	Pusher Spring	1
9	18050	Bumper	1	34	18180	Magazine Cover	1
10	18061-1	Trigger Valve Set	1	35	52060	Pusher	1
11	18071	Trigger Valve Spring	1	36	18200	Rear Magazine Bumper	1
12	90055	O-Ring	1	37	18322-1	Automatic adjust switch Kit	1
13	18090	Trigger Valve	1	38	52030	Pin	1
14	90006	O-Ring	1	39	52040	Trigger	1
15	90008	O-Ring	1	40	18240	Seal	1
16	18310	Trigger Valve Plate	1	41	20250	Pin	1
17	90005	O-Ring	1	42	95001	E-Ring	1
18	90033	O-Ring	1	43	51213	Air Silencer	1
19	90009	O-Ring	1	44	94001-1	Air Plug	1
20	18110	Trigger Valve Stem	1	45	18282	Magazine Latch	1
21	90033	O-Ring	1	46	18273	Magazine Latch Spring	1
22	18130	Trigger Valve Guide	1	47	95002	E-Ring	1
23	90007	O-Ring	1	48	92005	Washer	2
24	91013-1	Hex.HD Soc Screw + Spring Washer	2	49	18590	Gun Body	1
25	18332	Seal Retainer	1				